

FIG. 1E

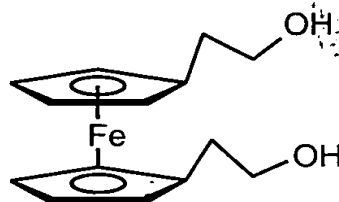


FIG. 1F

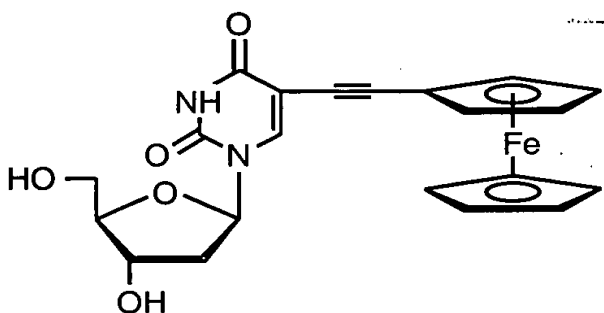


FIG. 1G

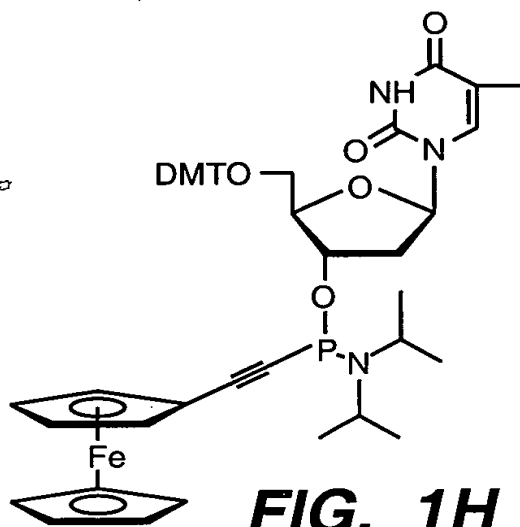


FIG. 1H

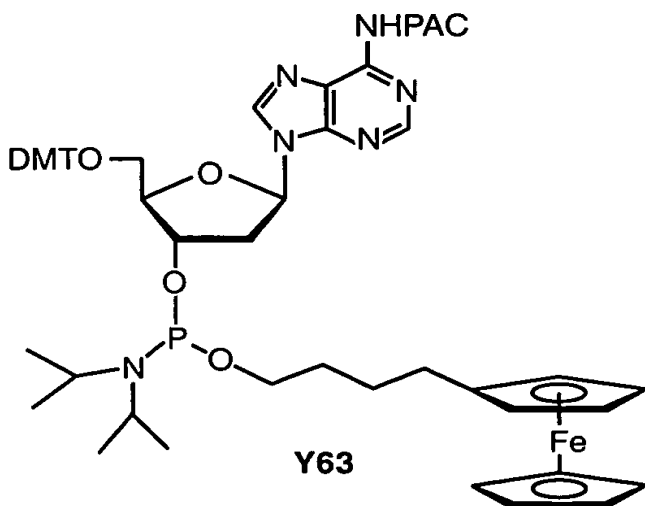


FIG. 1I

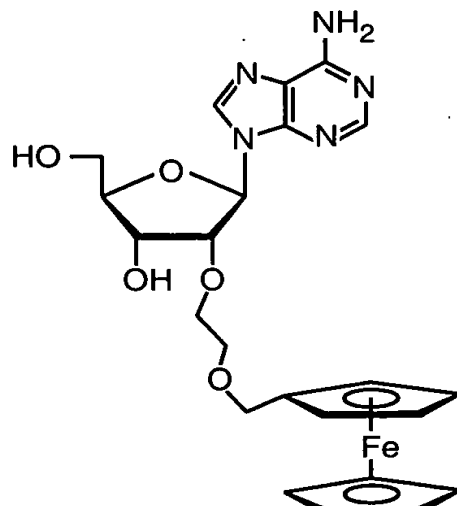
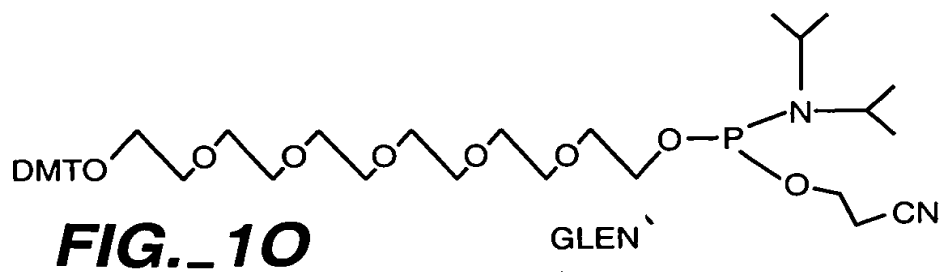
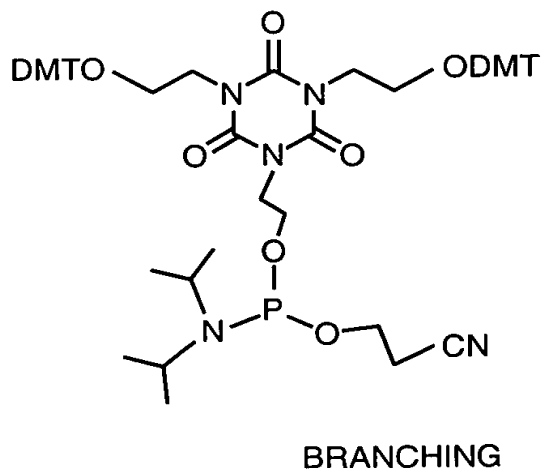
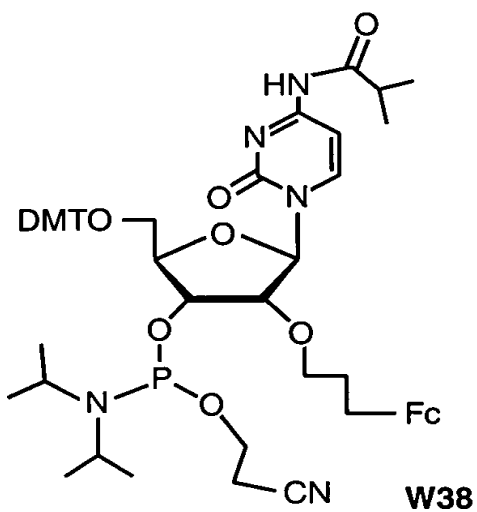
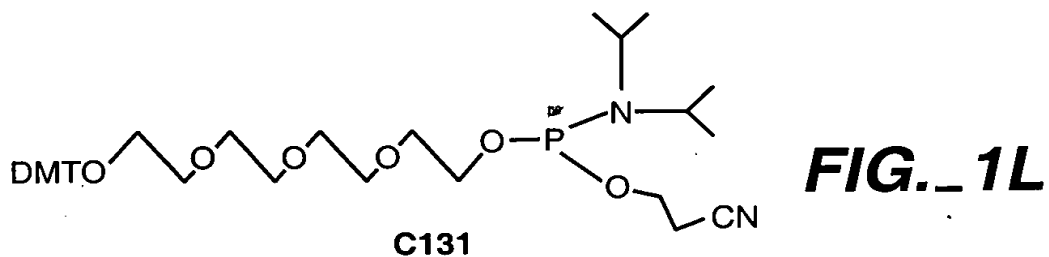
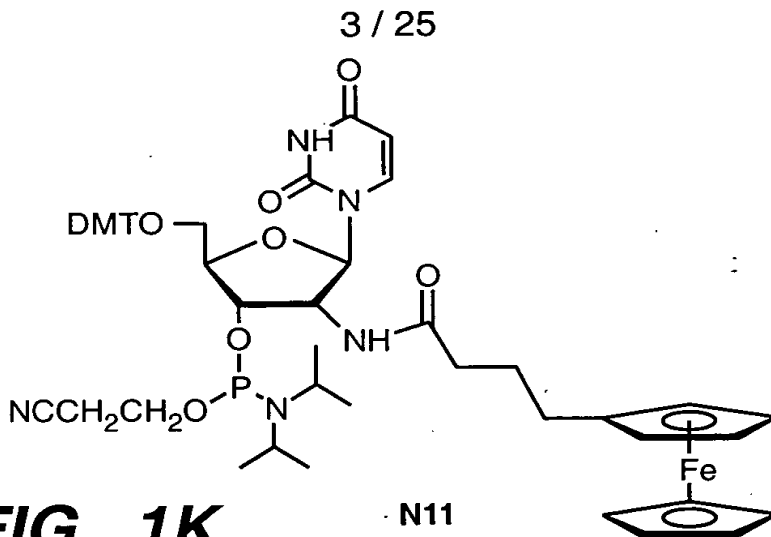
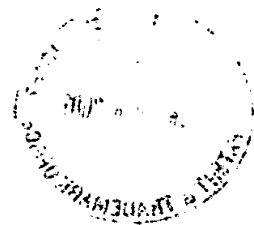
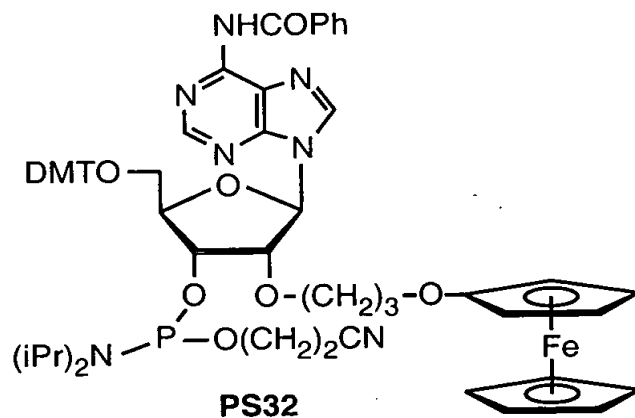
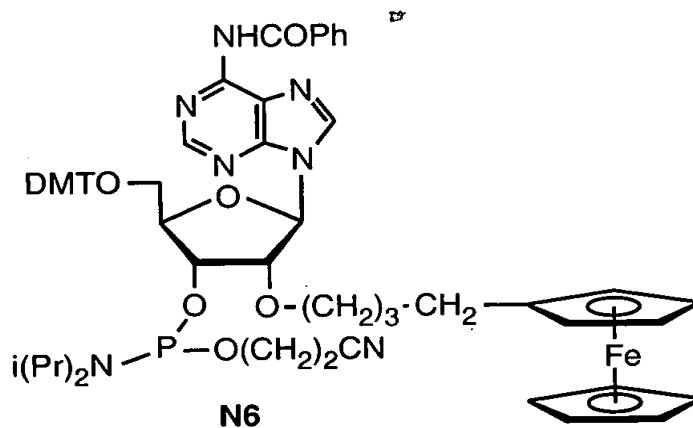
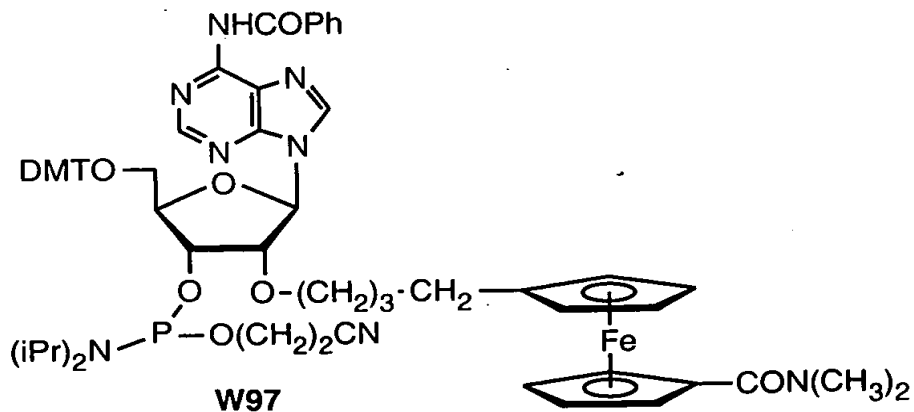


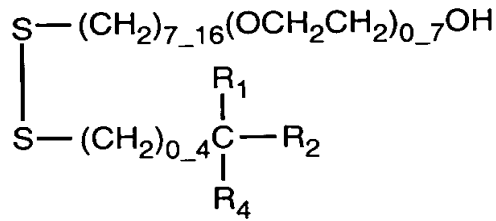
FIG. 1J

+



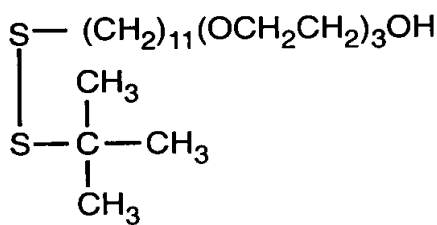
+

**FIG. 1P****FIG. 1Q****FIG. 1R**

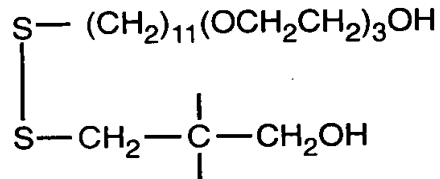


R₁, R₂, AND R₃: H, CH₃, t-BUTYL, CYCLOALKYL, CH₂OH, CH₂NH₂, CONH₂, COOH, CH₂OPO₃²⁻, AROMATIC, ADAMANTYL

FIG. 2A



CT99



CT105

FIG. 2B

M44, CT99, CT105 FOR 8Fc (D772) SYSTEM WITH SIGNAL / BACKGROUND RATIO

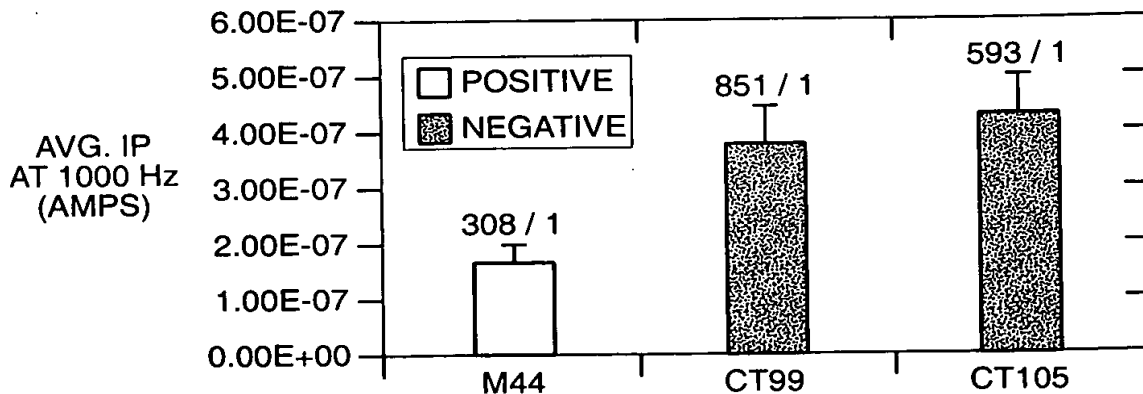
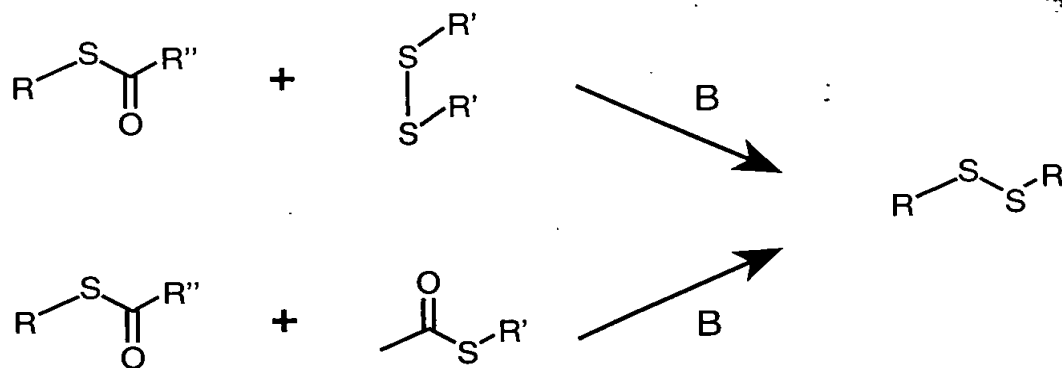
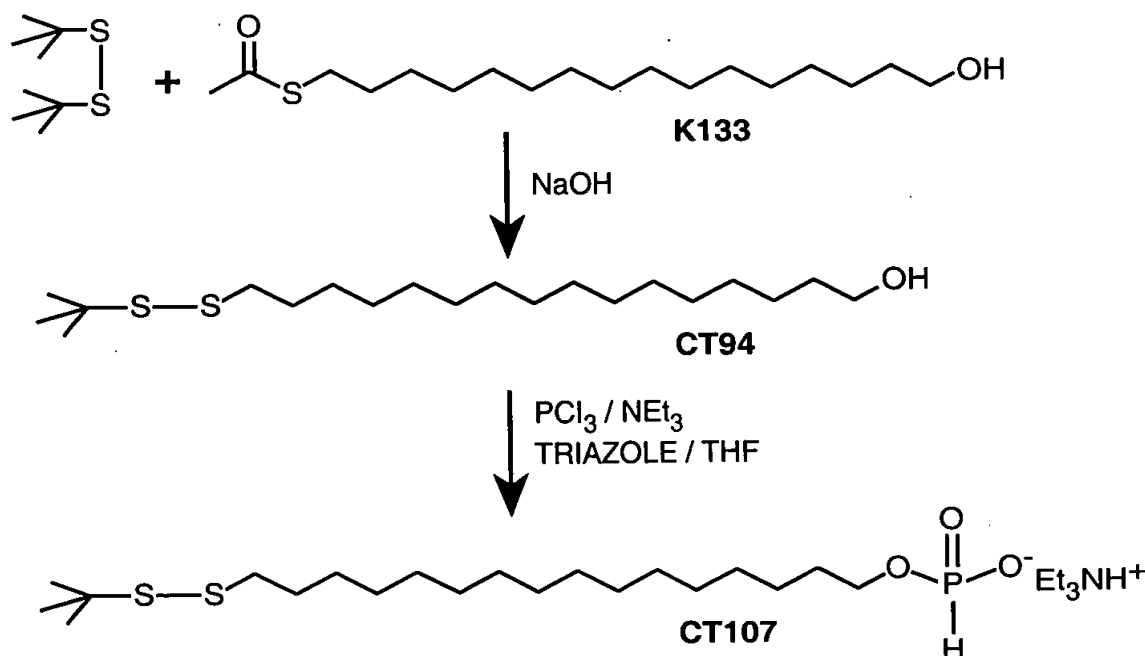
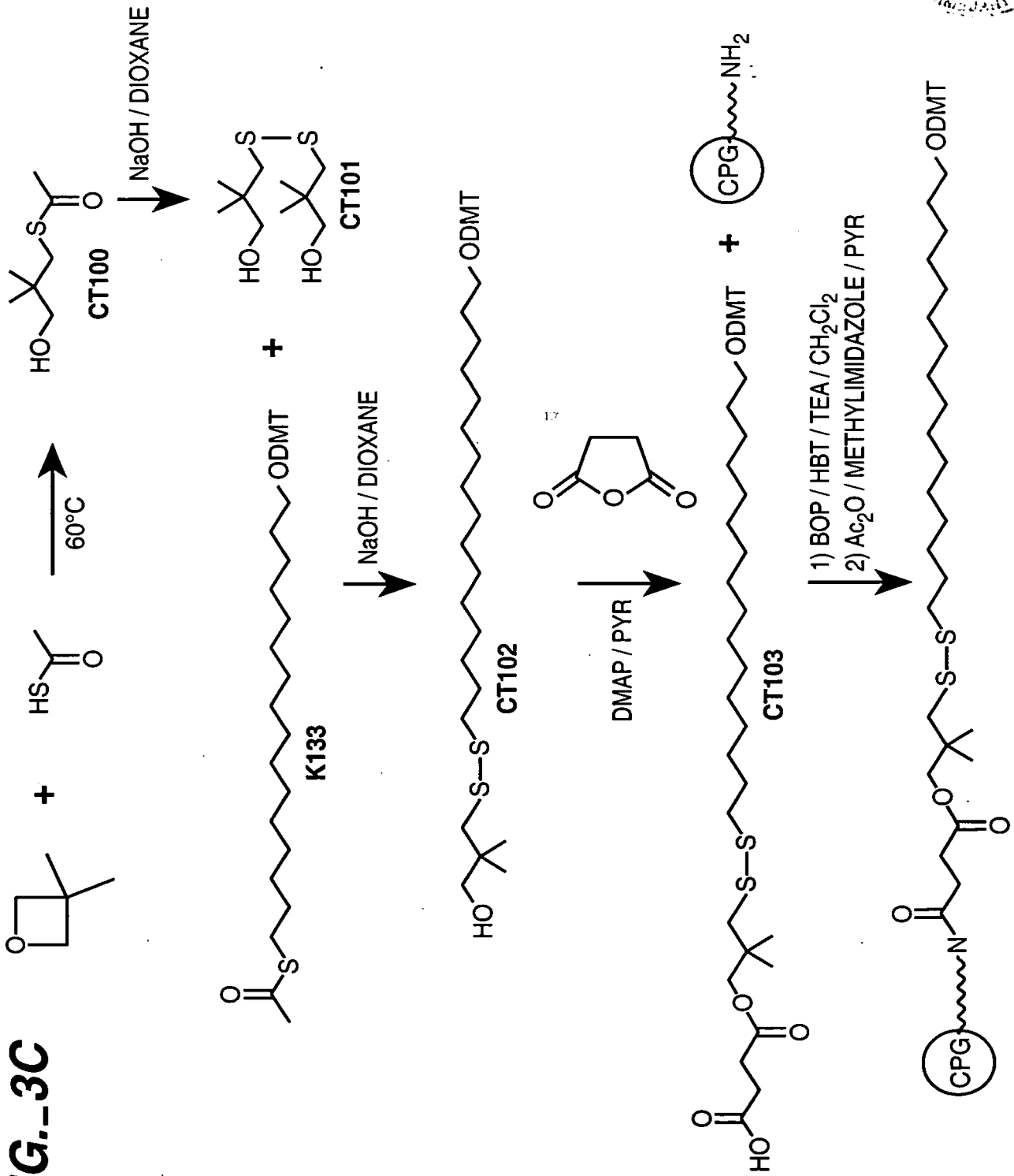


FIG. 2C

CHIPS

**FIG. 3A****FIG. 3B**



+

8 / 25

METHOD A

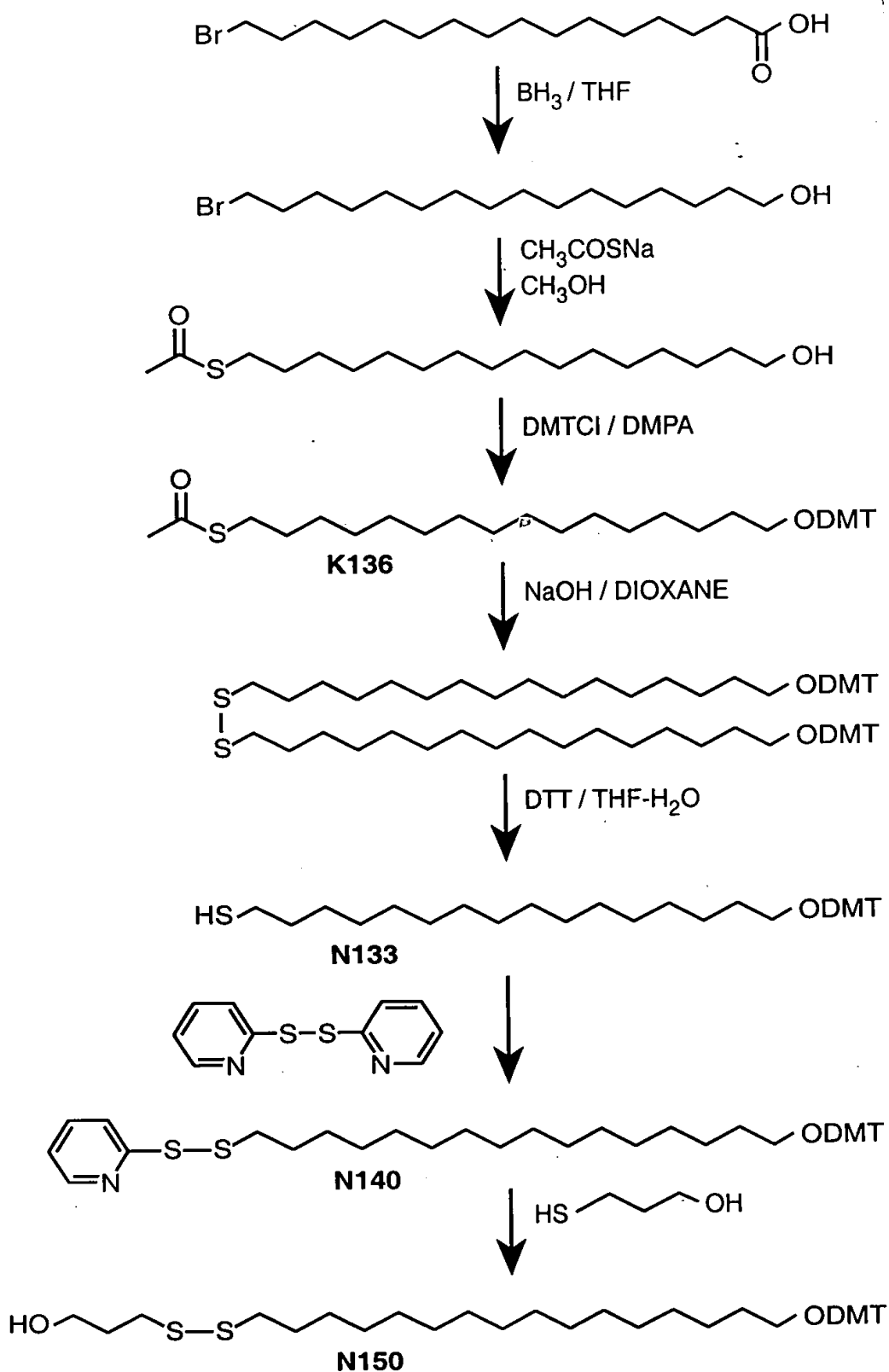


FIG._3D-1



FIG. 3D

FIG. 3D-1 FIG. 3D-2

METHOD B

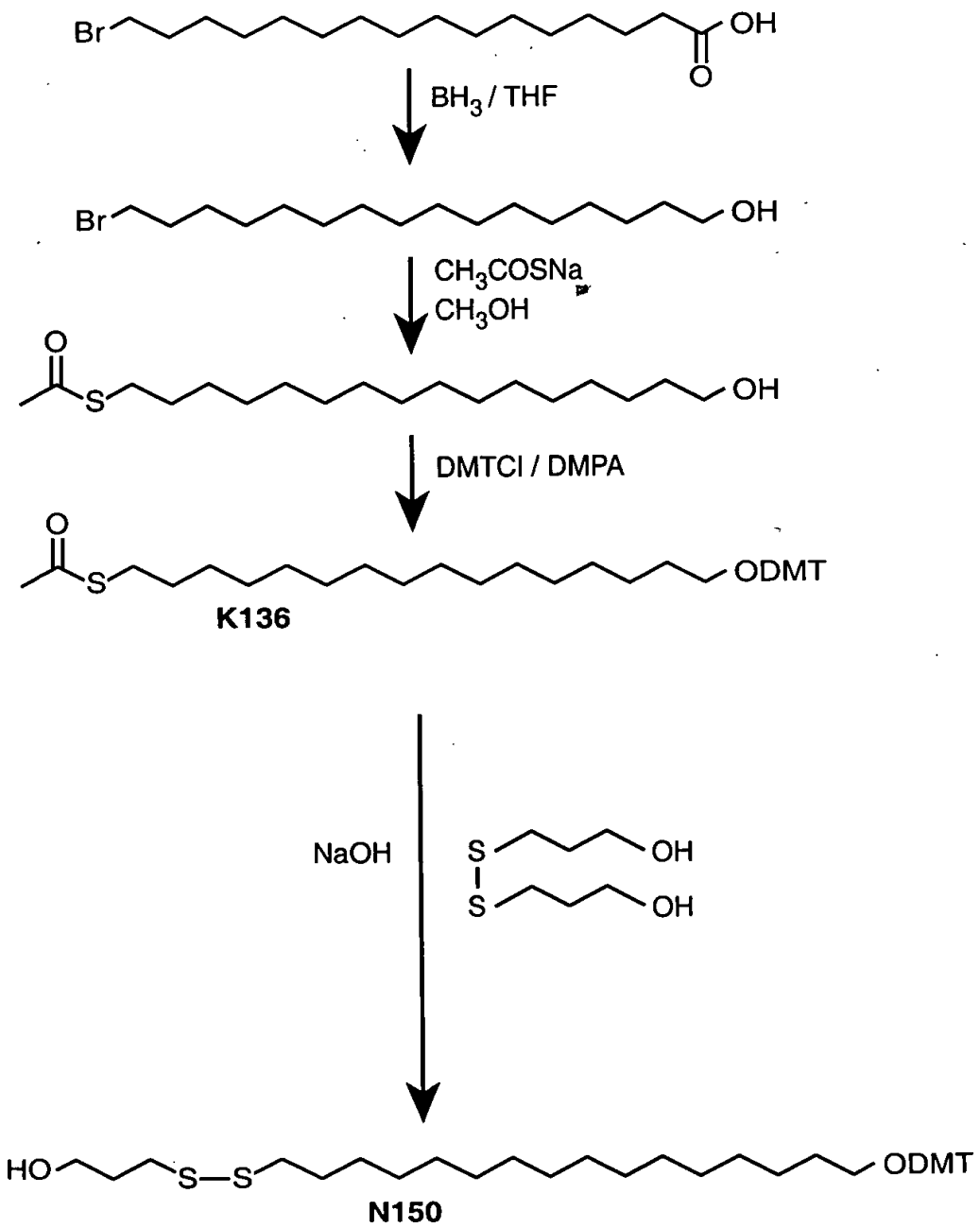
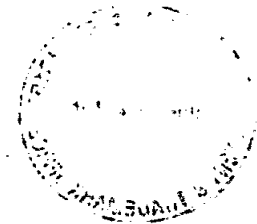


FIG. 3D-2





+

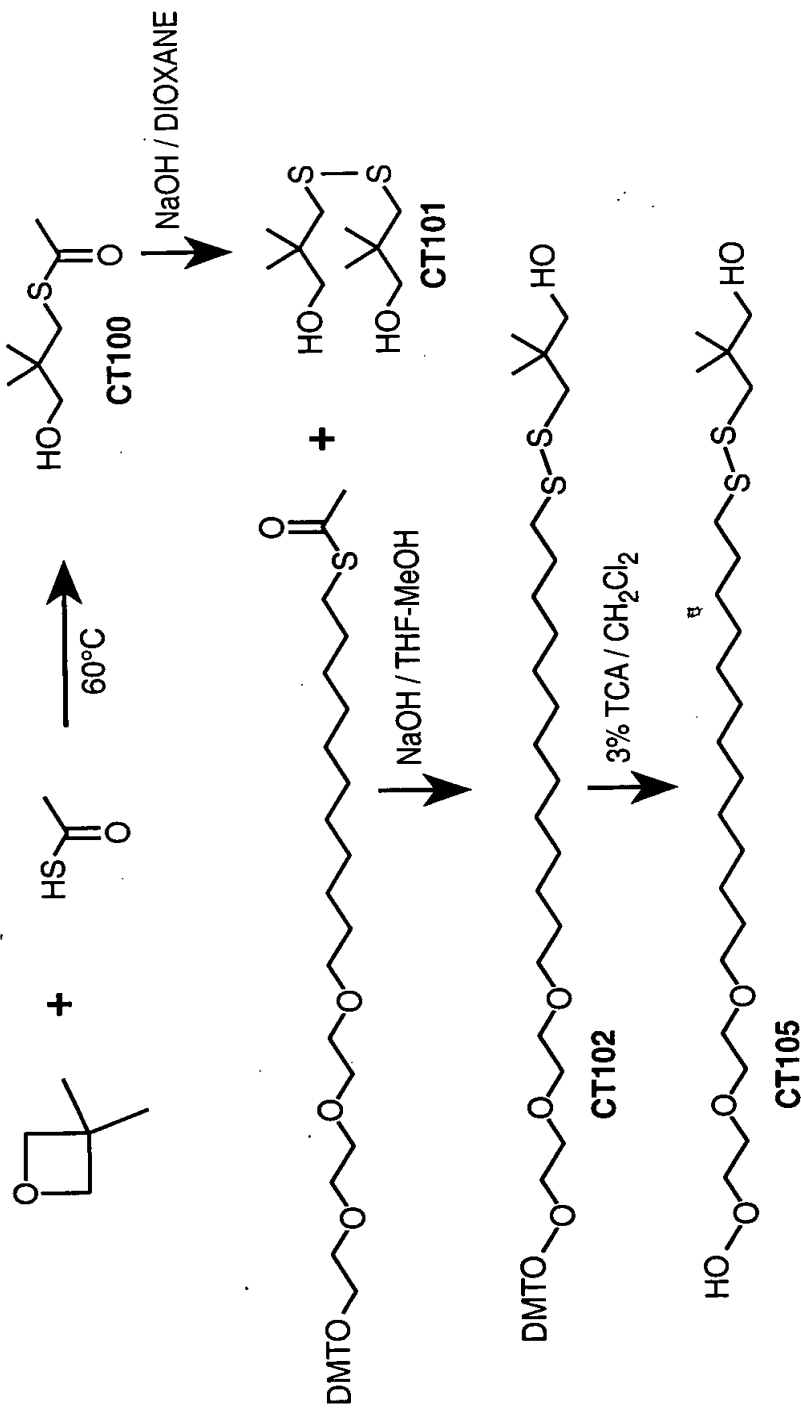


FIG. 3E

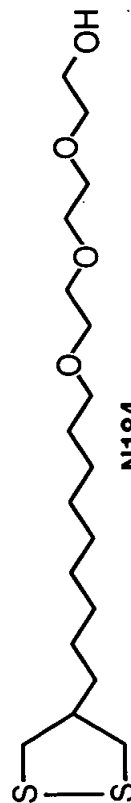


FIG. 3F

N184

INSULATOR

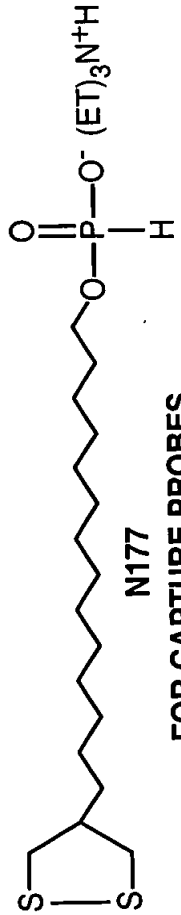


FIG. 3G

N177

FOR CAPTURE PROBES

+

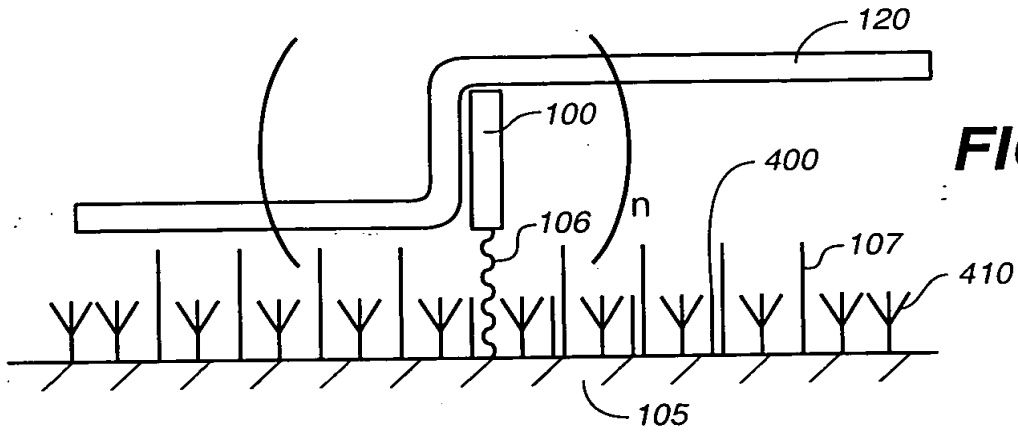


FIG. 4A

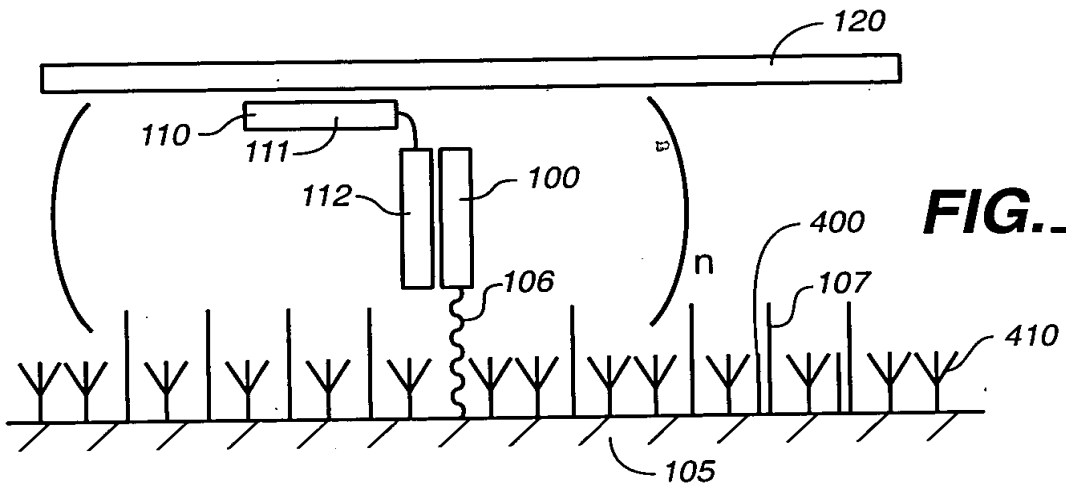


FIG. 4B

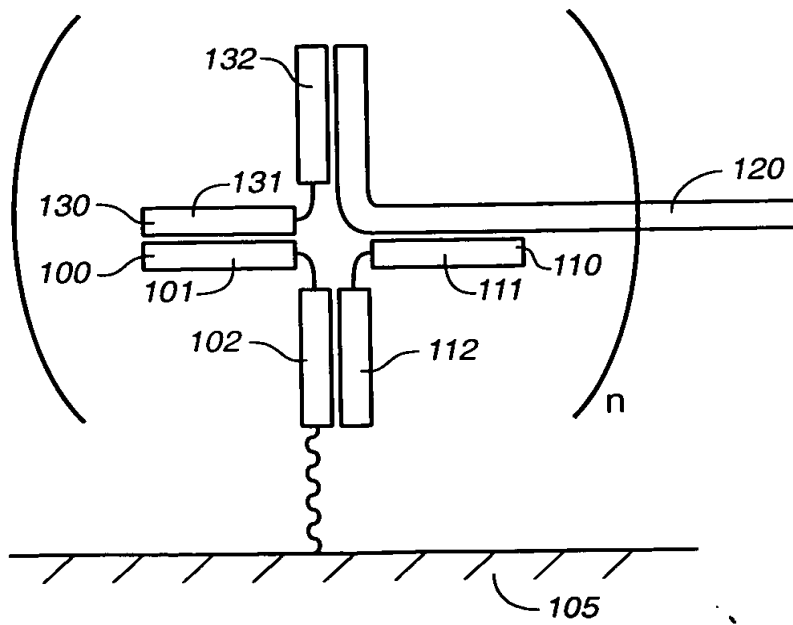


FIG. 4C

FIG. 5A

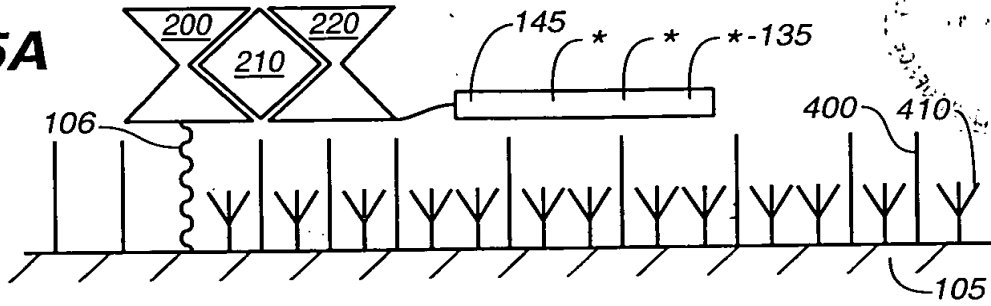


FIG. 5B

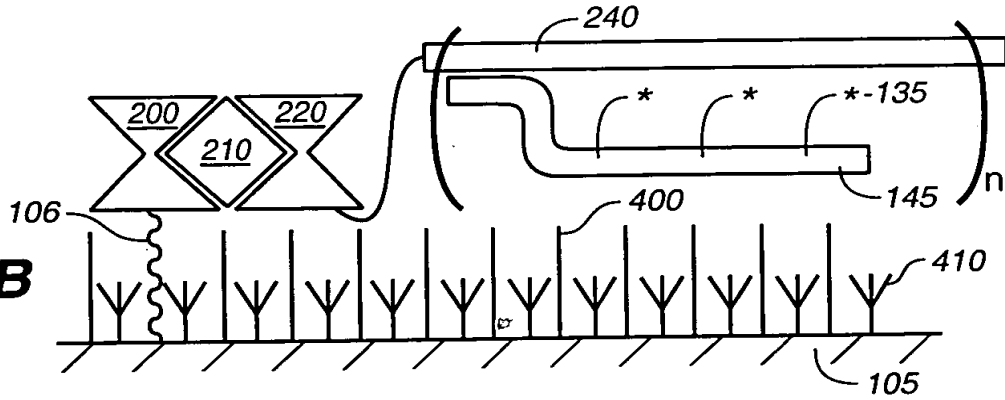


FIG. 5C

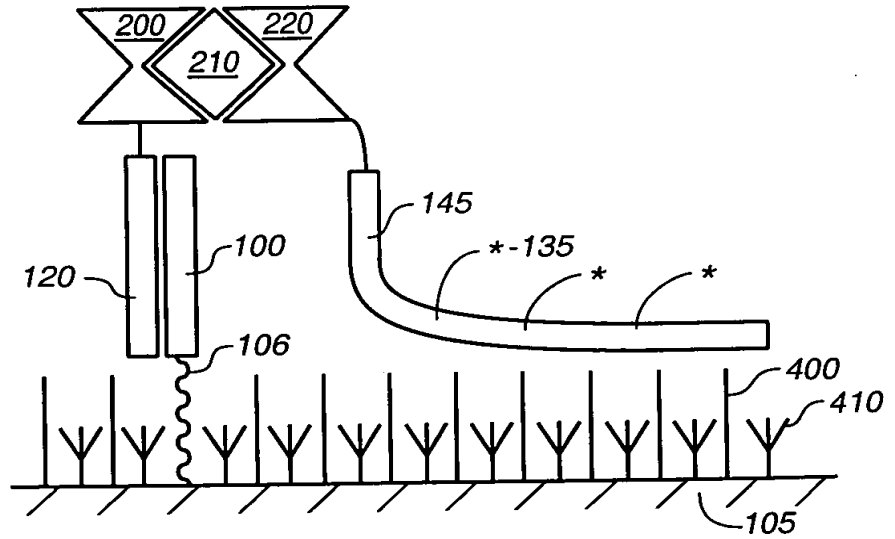
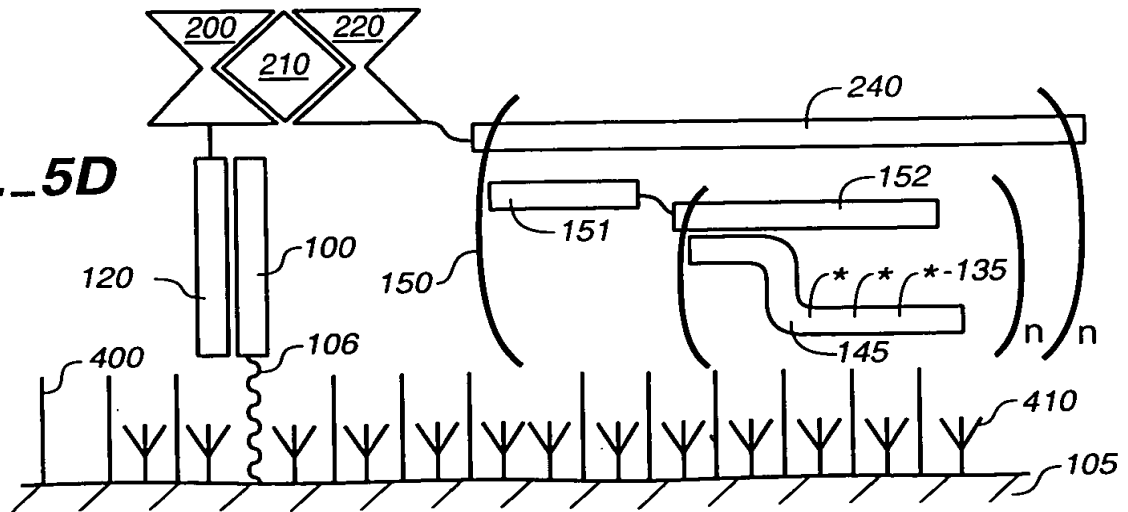


FIG. 5D



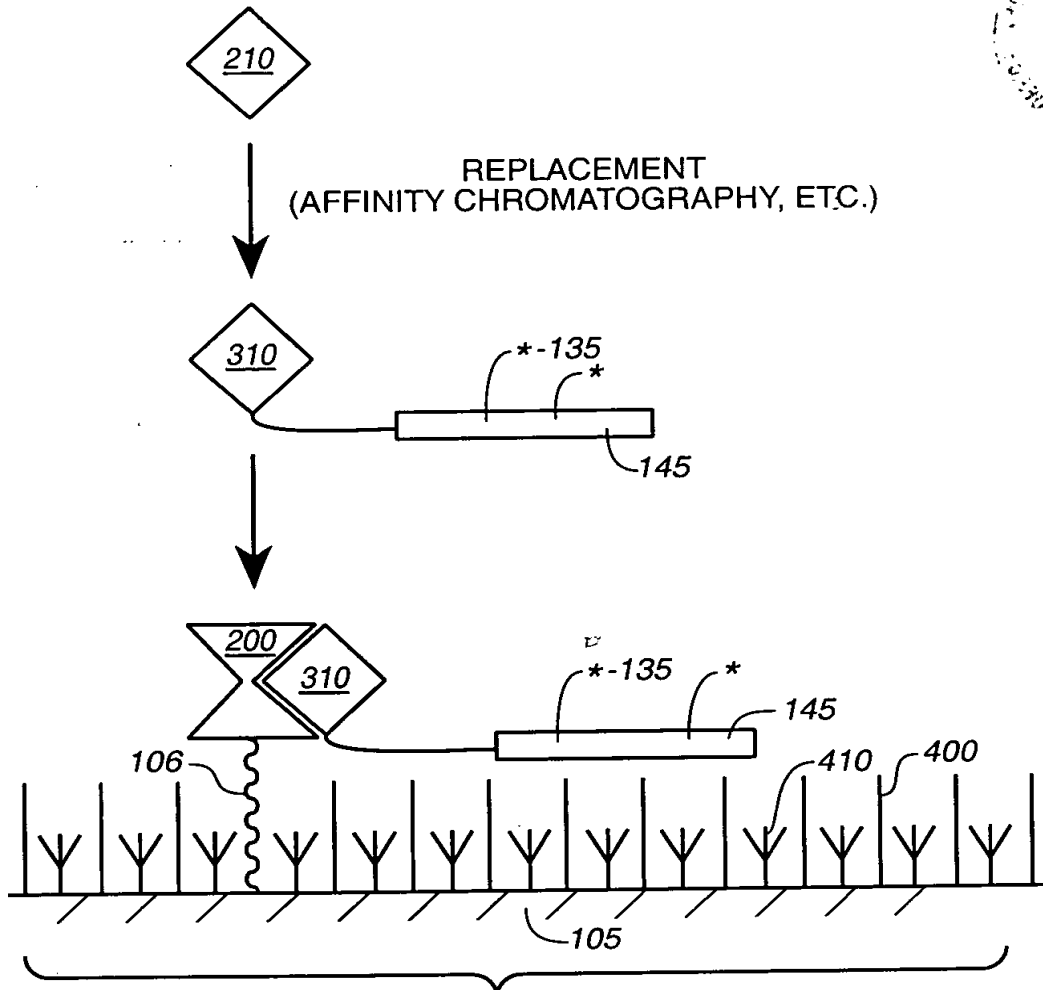
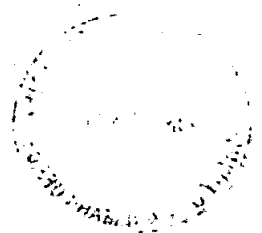


FIG. 6A

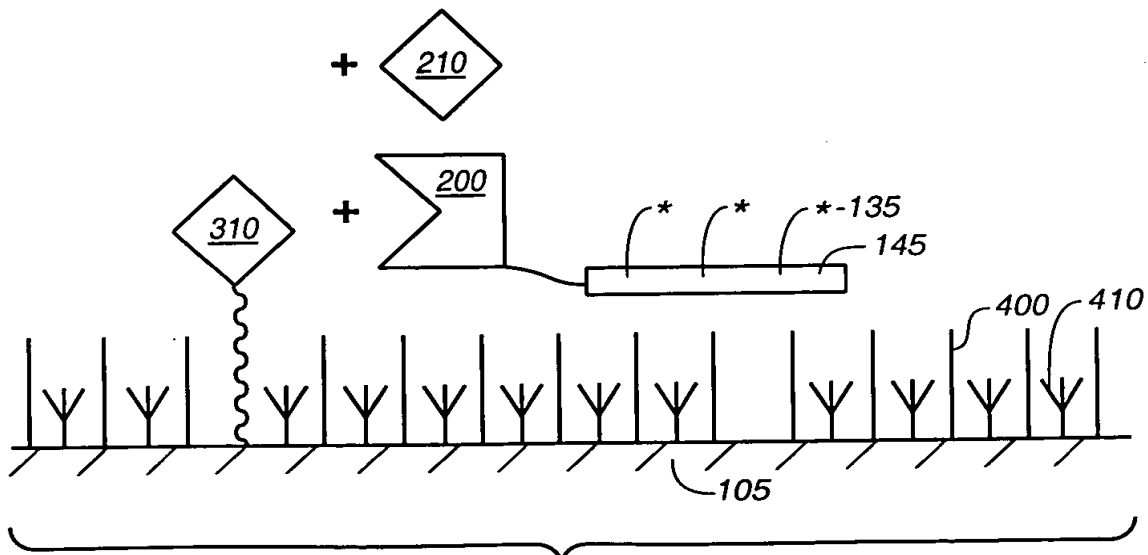


FIG. 6B



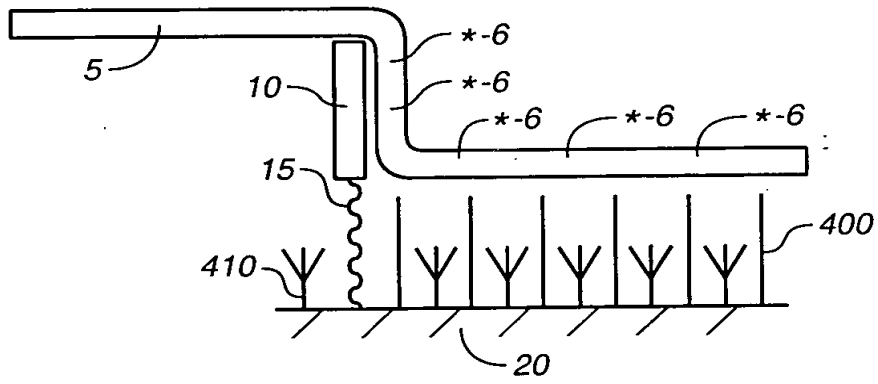
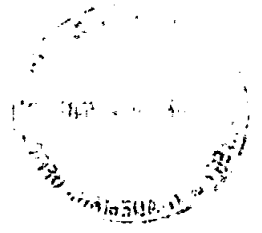


FIG. 7A

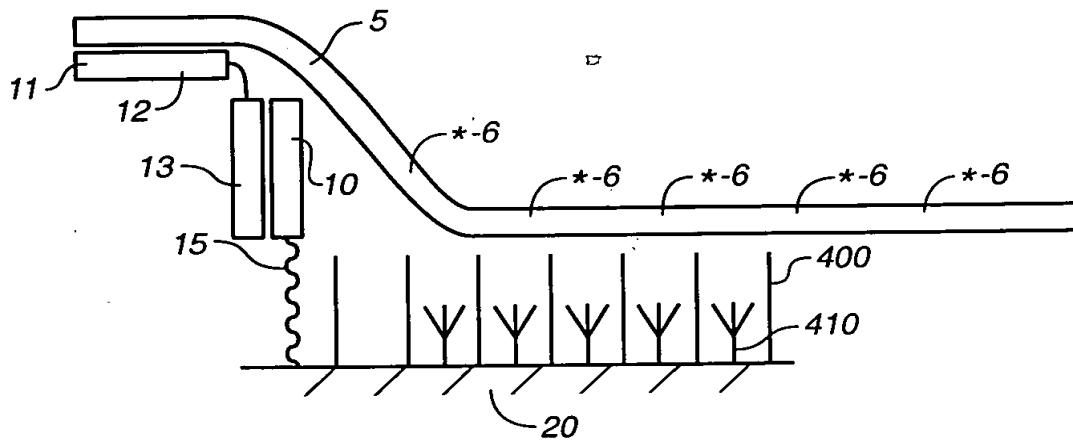


FIG. 7B

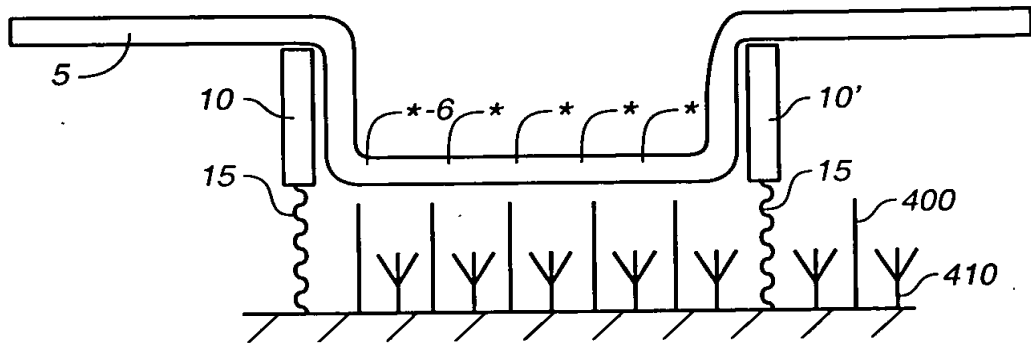


FIG. 7C

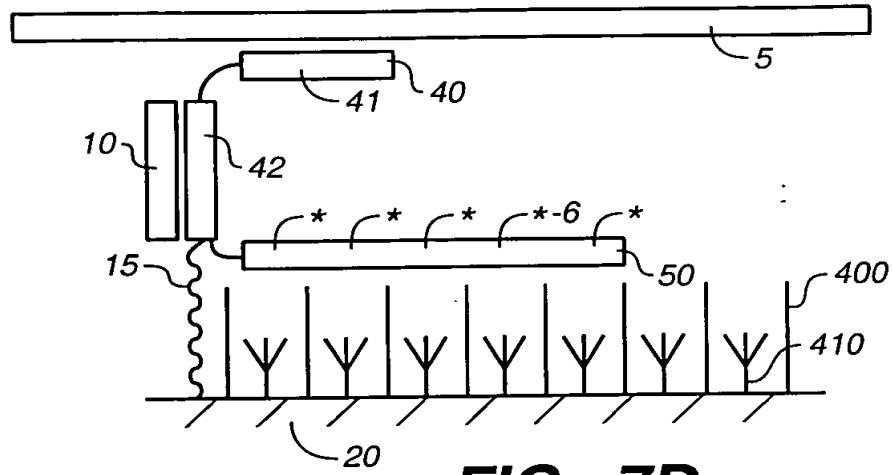


FIG. 7D

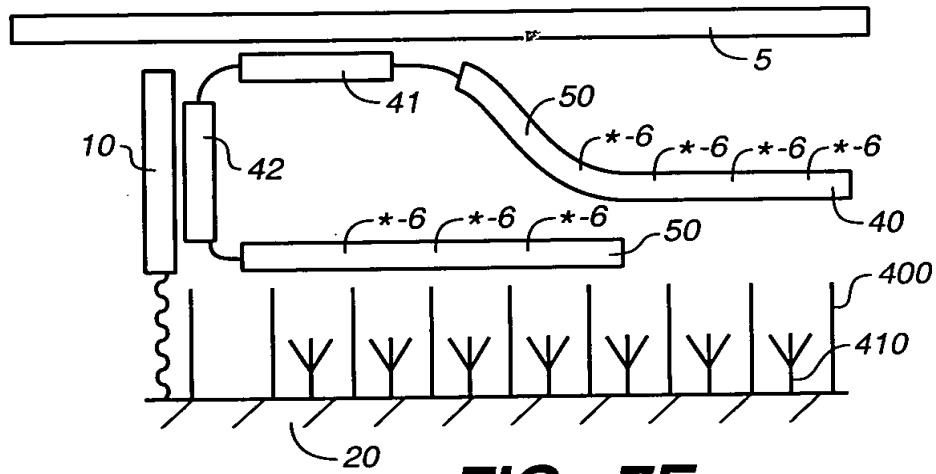


FIG. 7E

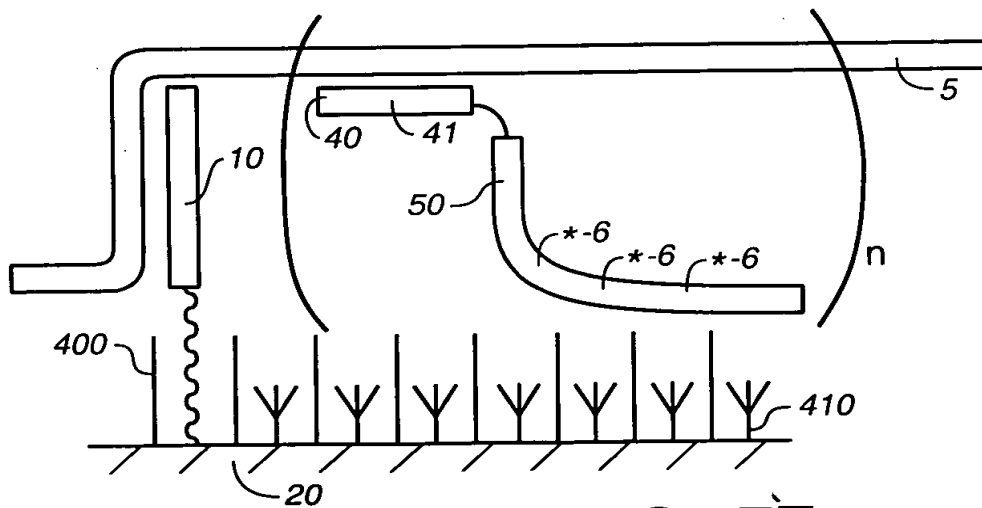


FIG. 7F

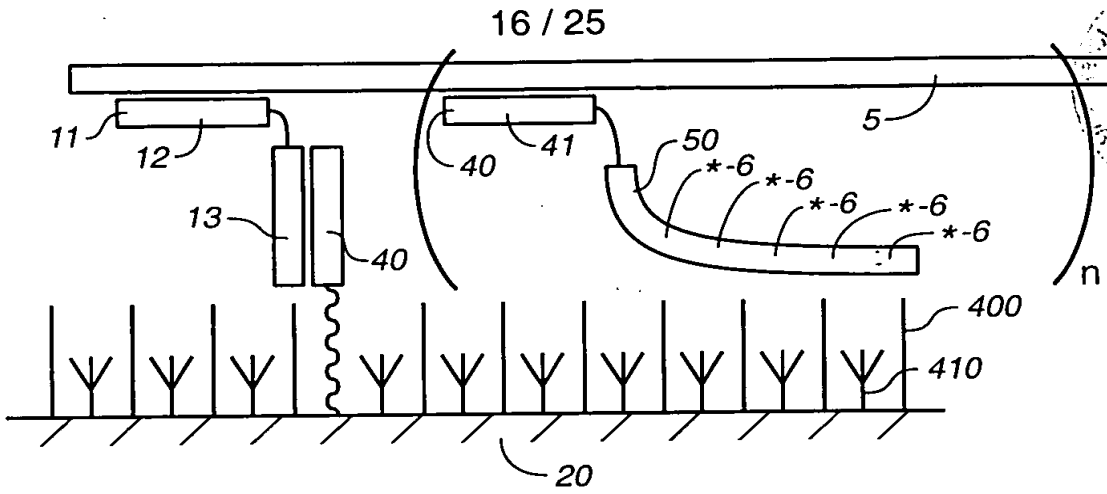


FIG. 7G

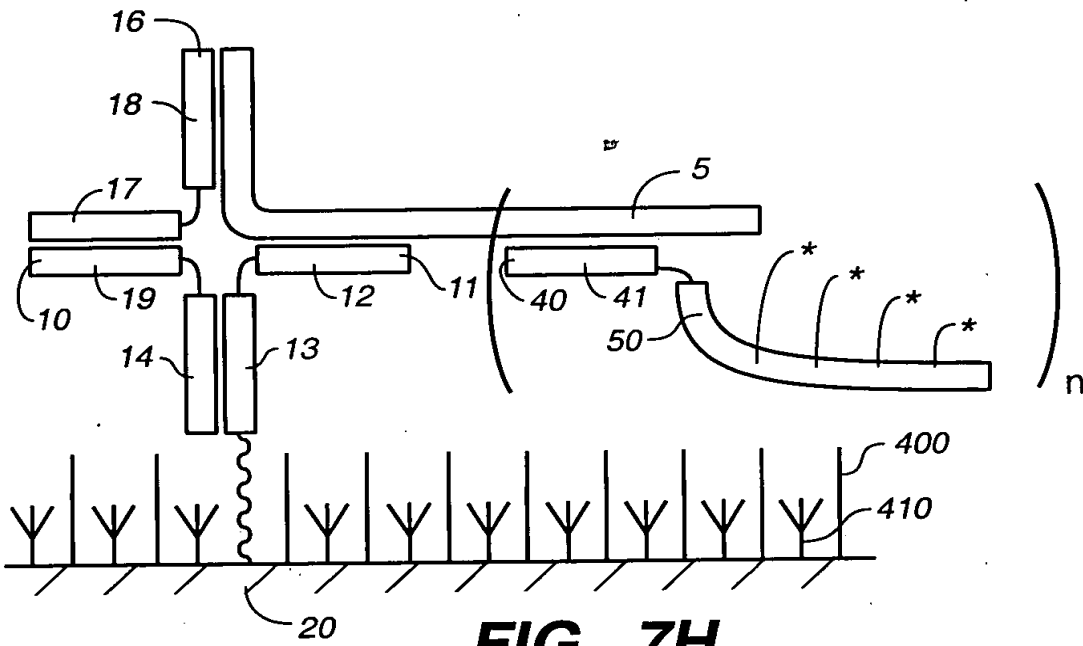


FIG. 7H

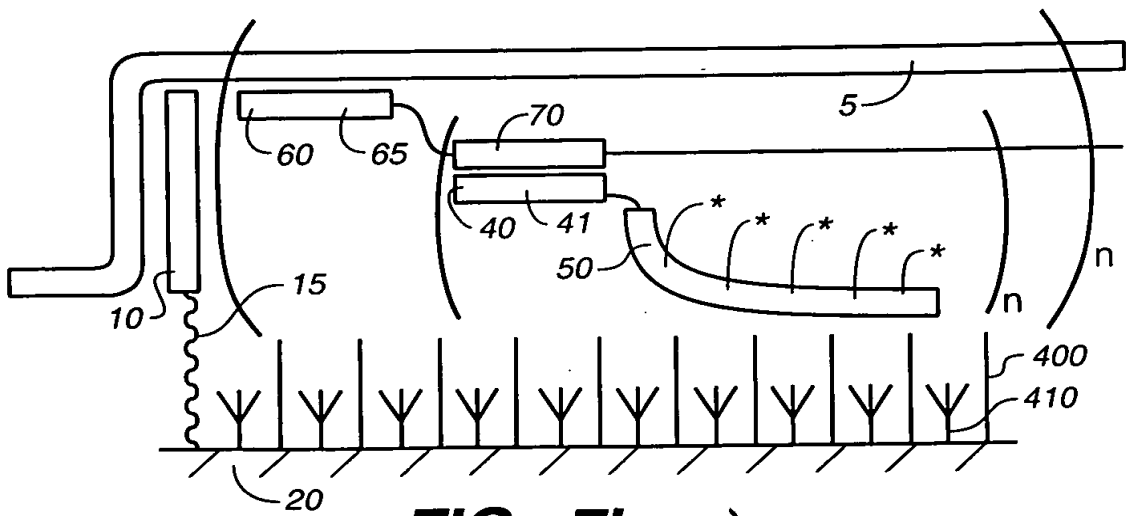


FIG. 7I

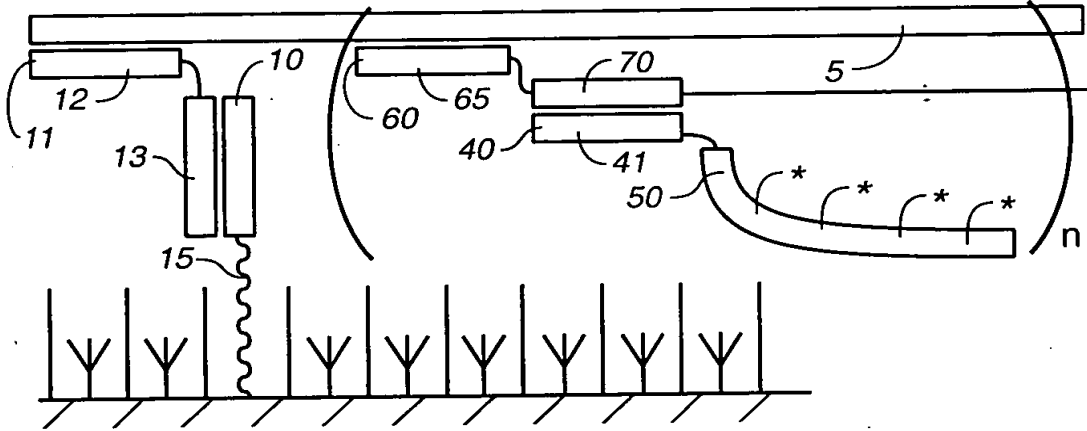


FIG. 7J

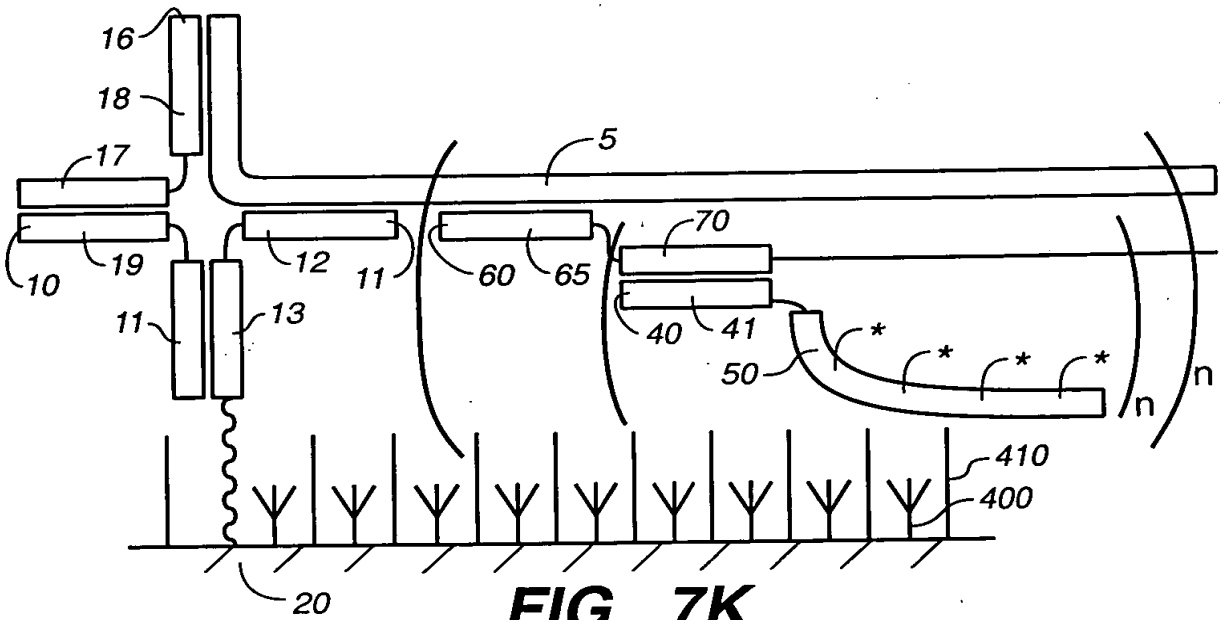
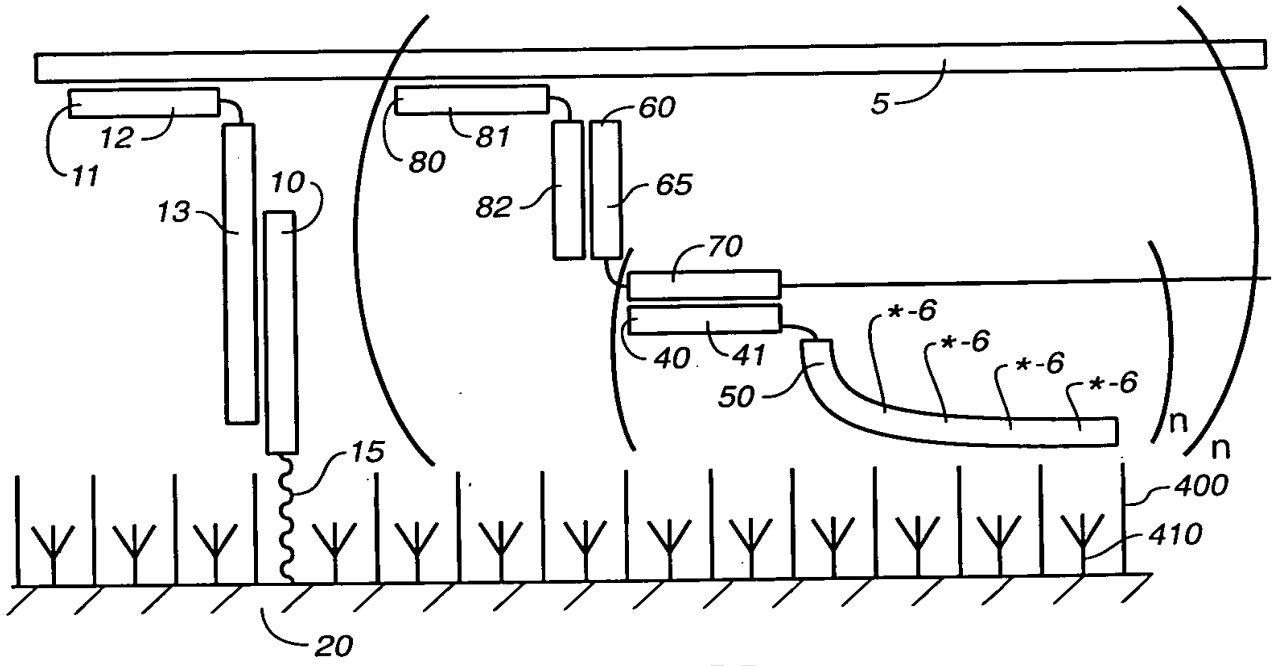
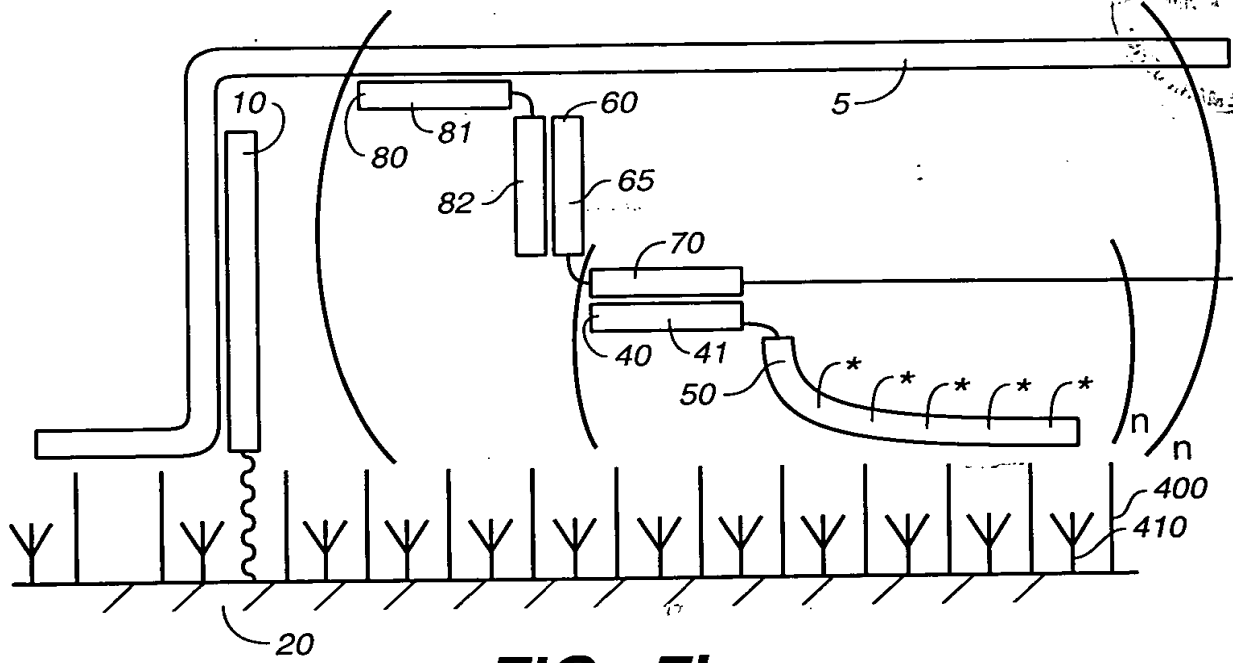


FIG. 7K



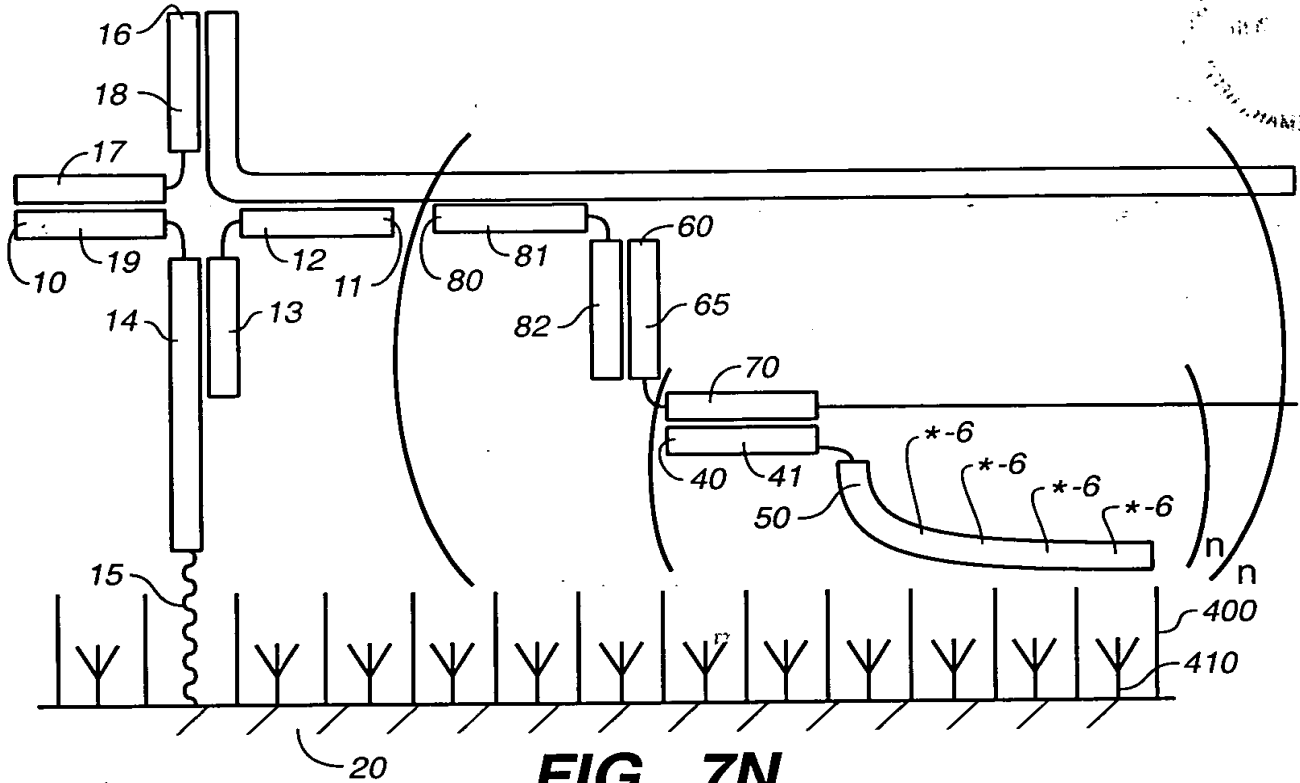


FIG. 7N

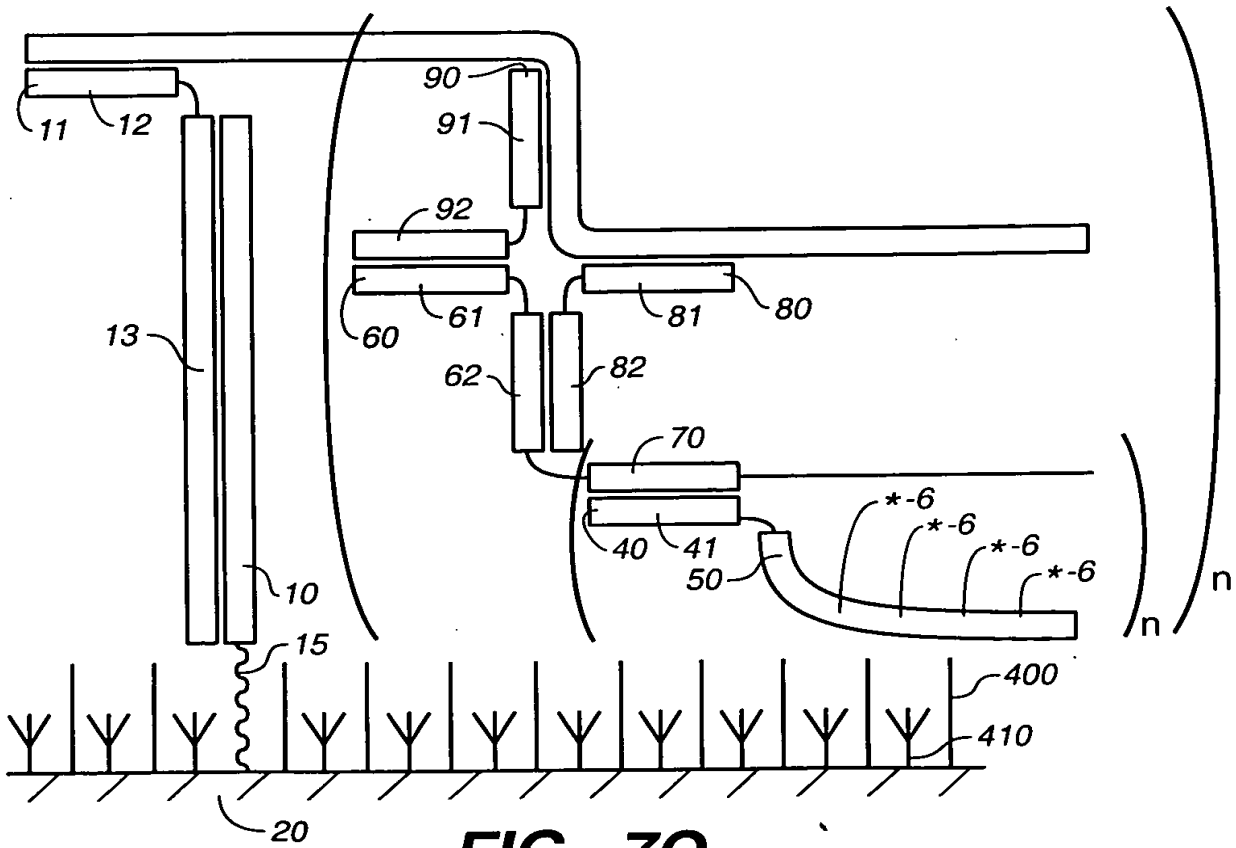


FIG. 7O

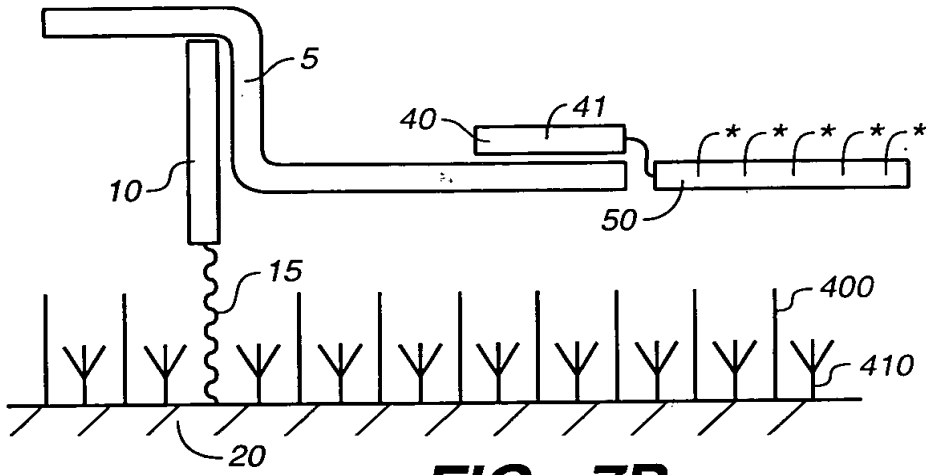
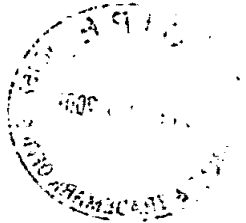


FIG. 7P

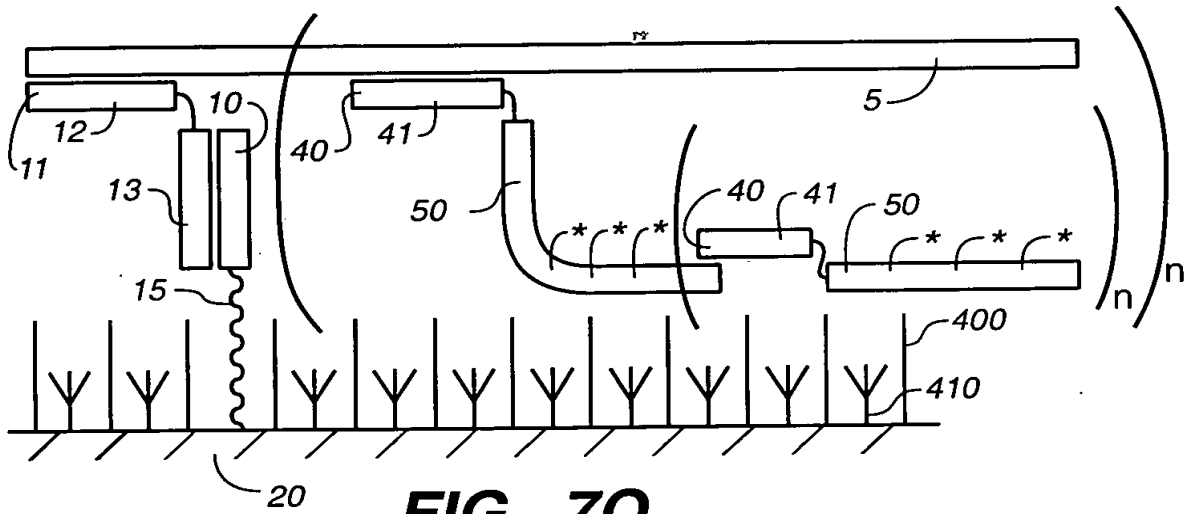


FIG. 7Q

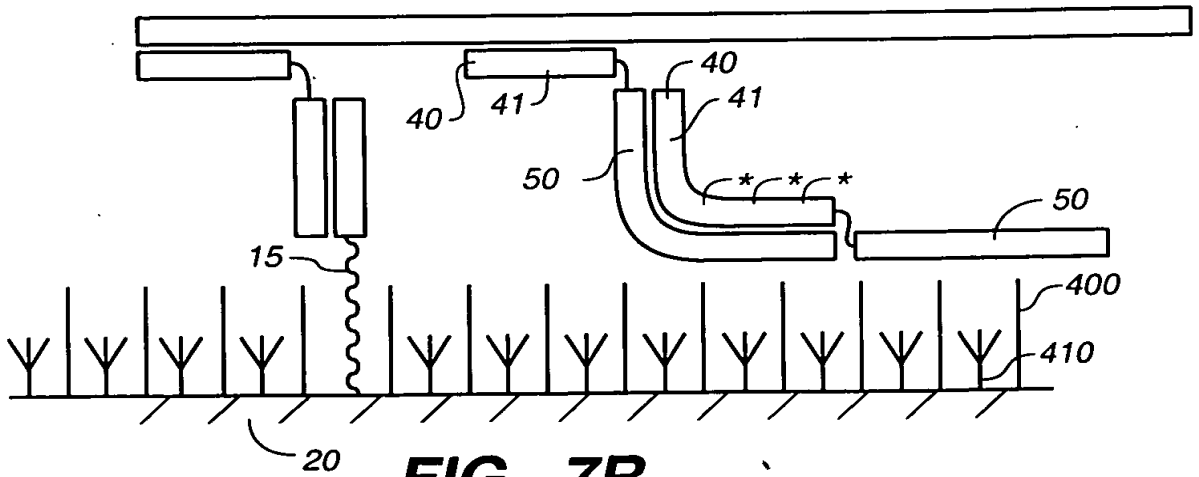


FIG. 7R

FIG. 8

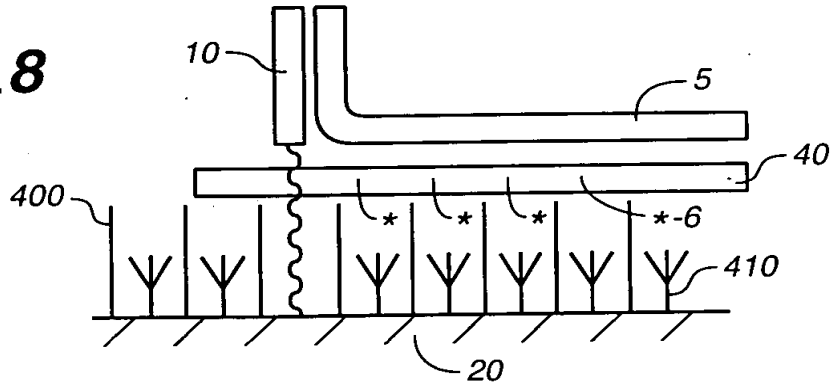


FIG. 9

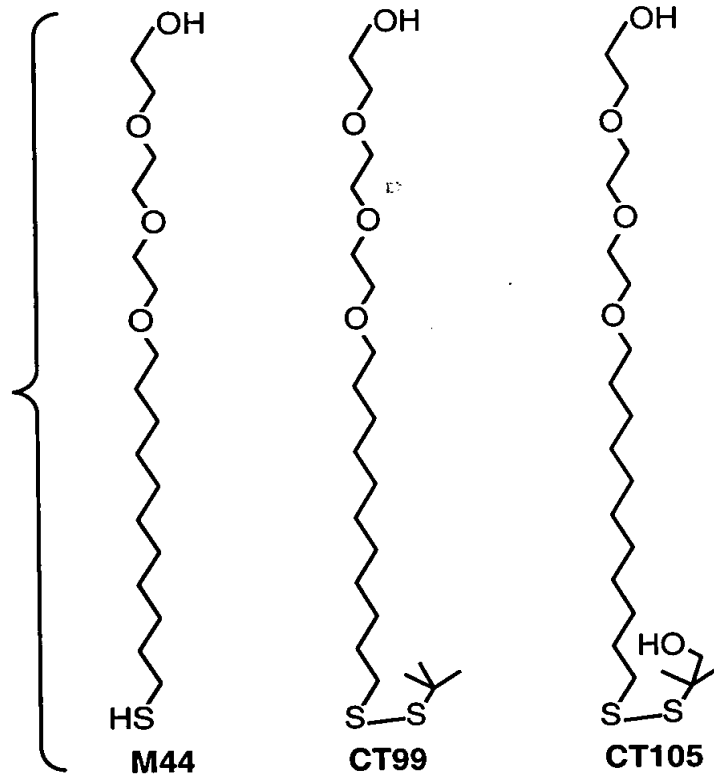
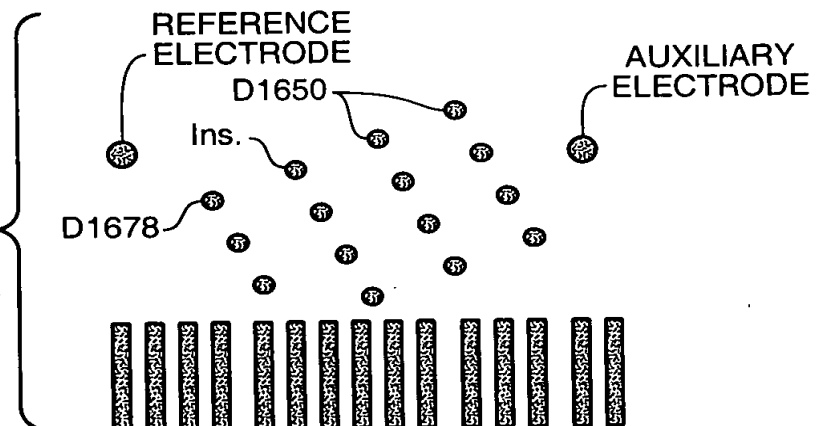


FIG. 10



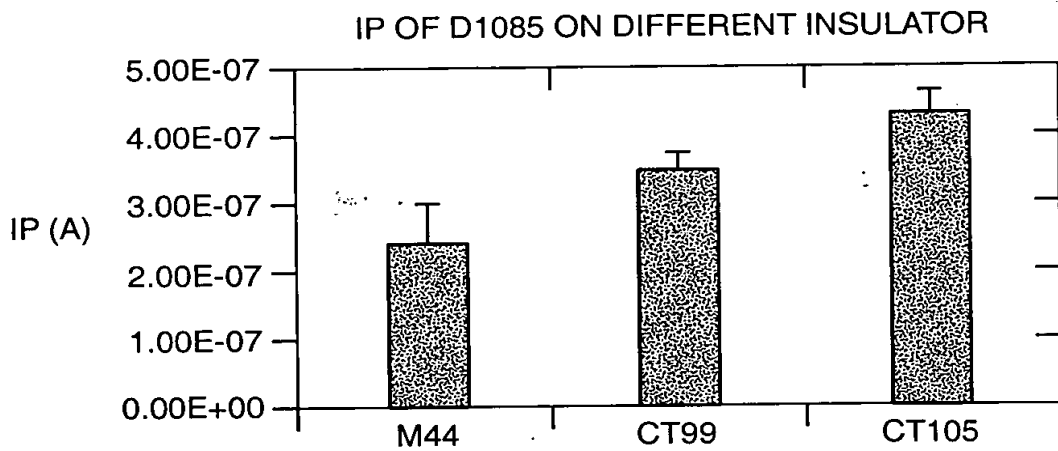


FIG. 11

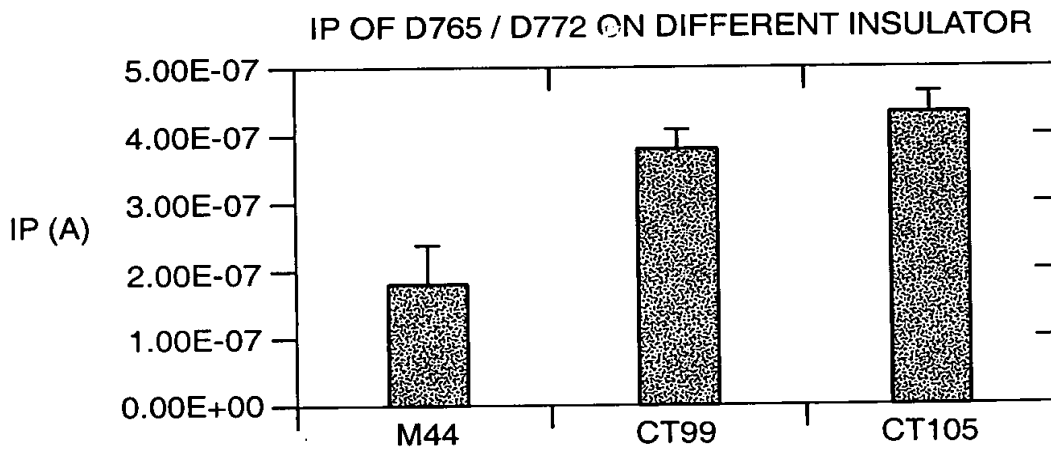


FIG. 12

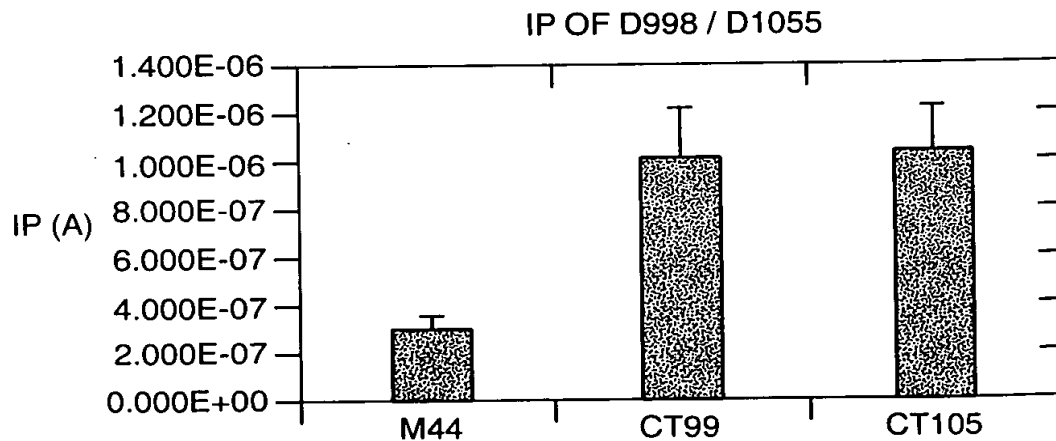
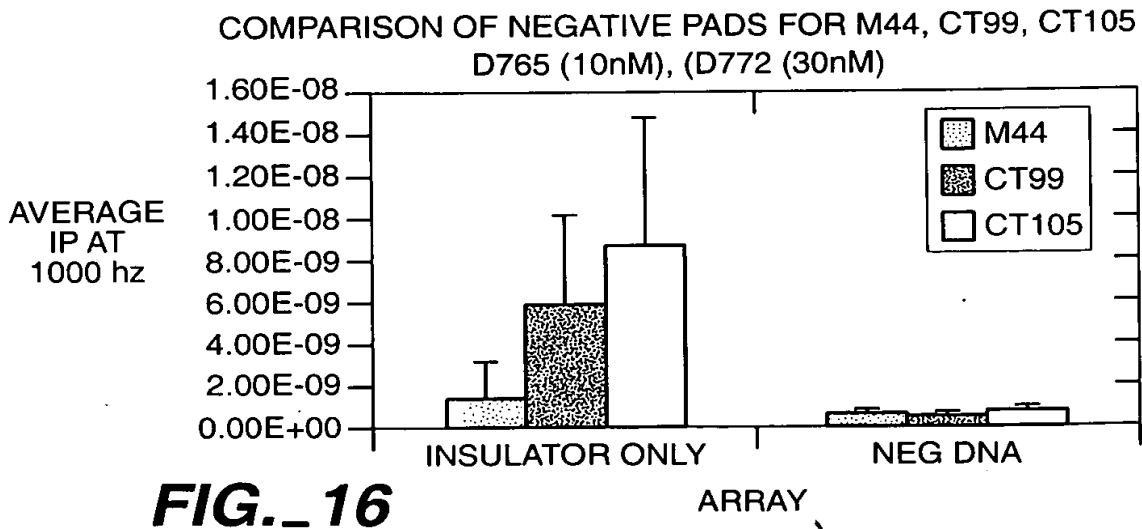
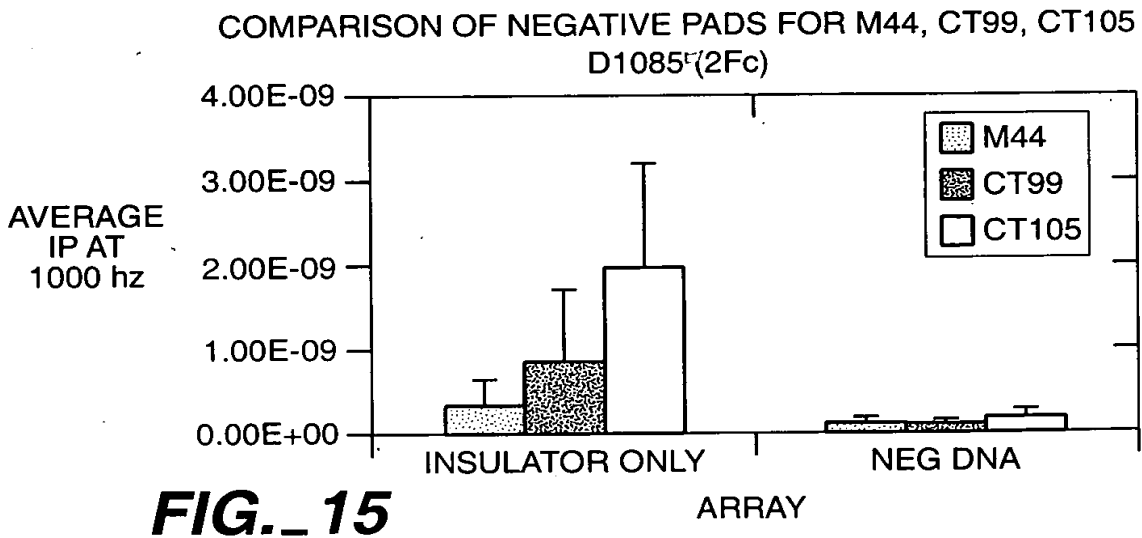
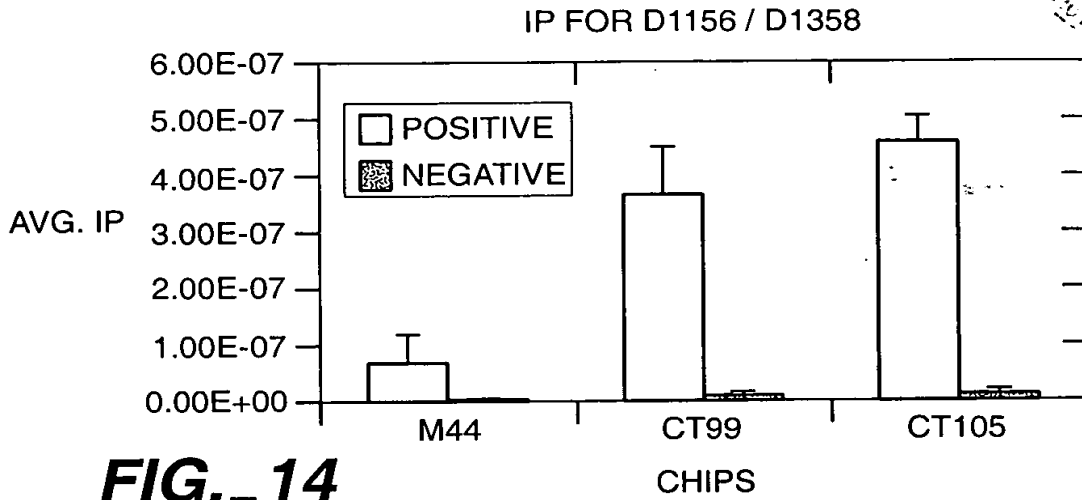


FIG. 13





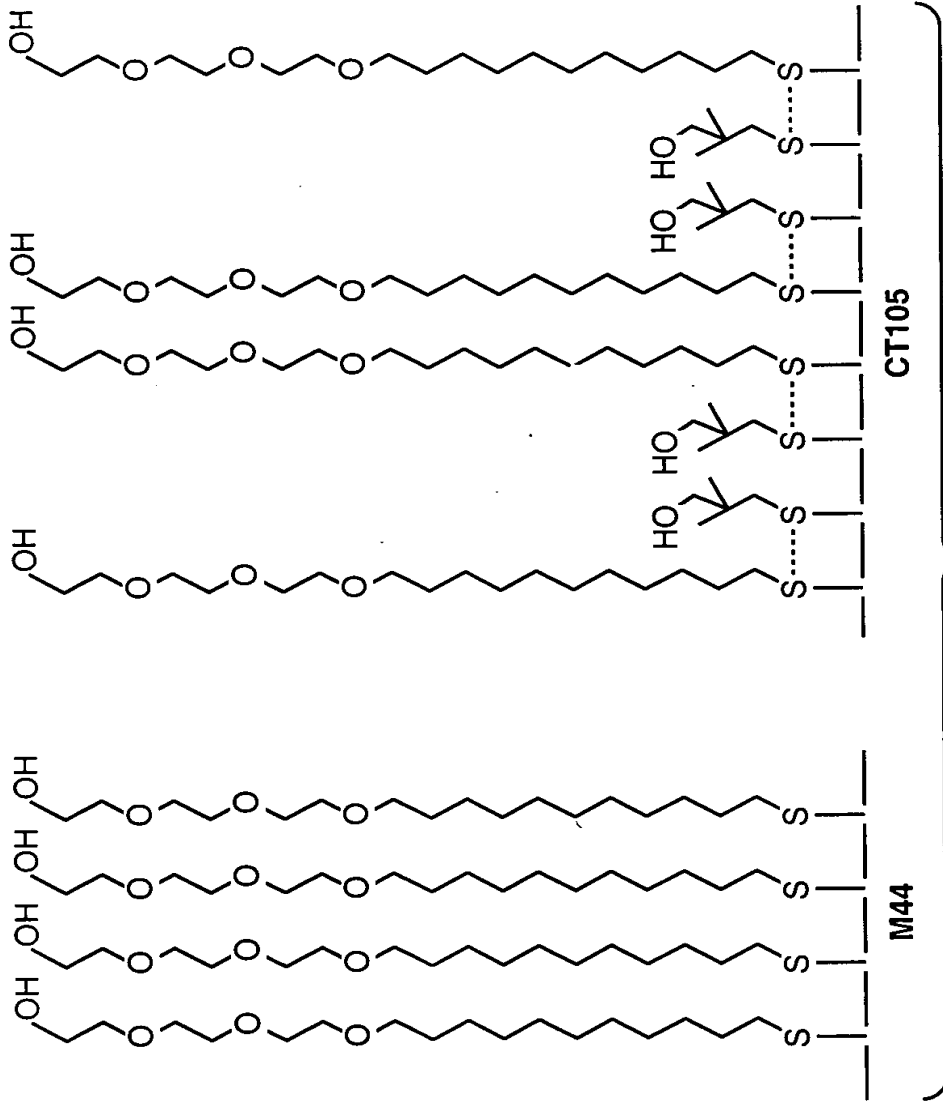


FIG.-17



FREQUENCY RESPONSE OF D1085 (100 nM)
ON M44, CT99, CT105

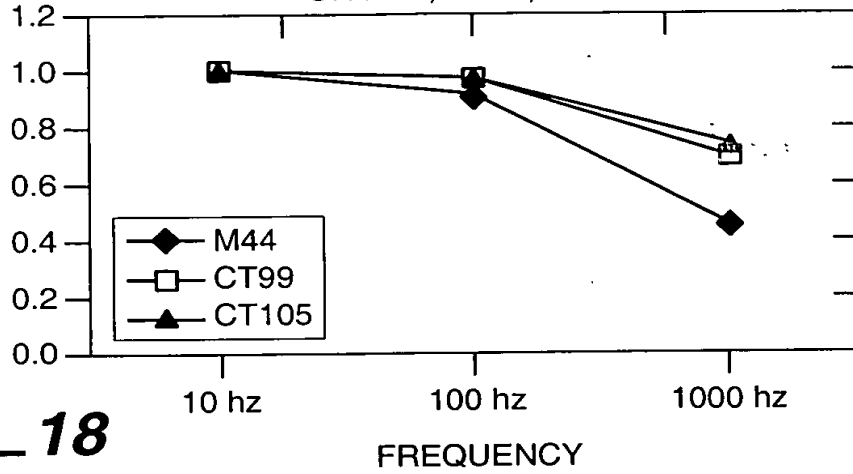


FIG._18

FREQUENCY RESPONSE OF D765 / D772 (8Fc)
ON M44, CT99, CT105

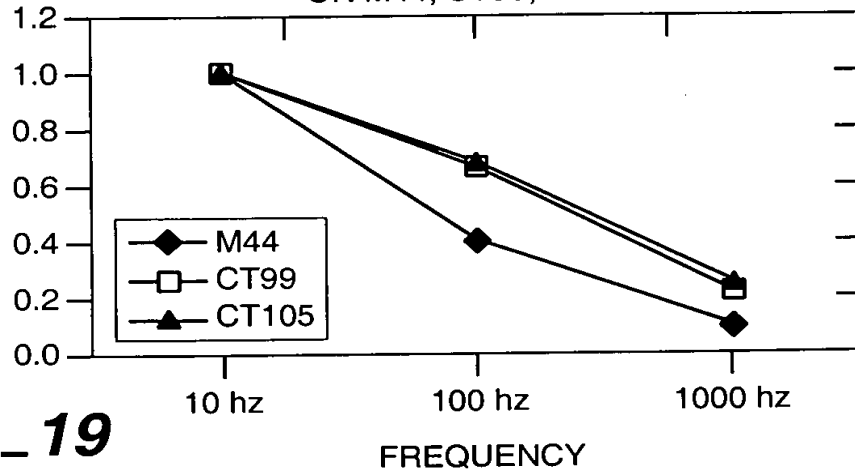


FIG._19

FREQUENCY RESPONSE OF D998 / D1055 (20Fc)
ON M44, CT99, CT105

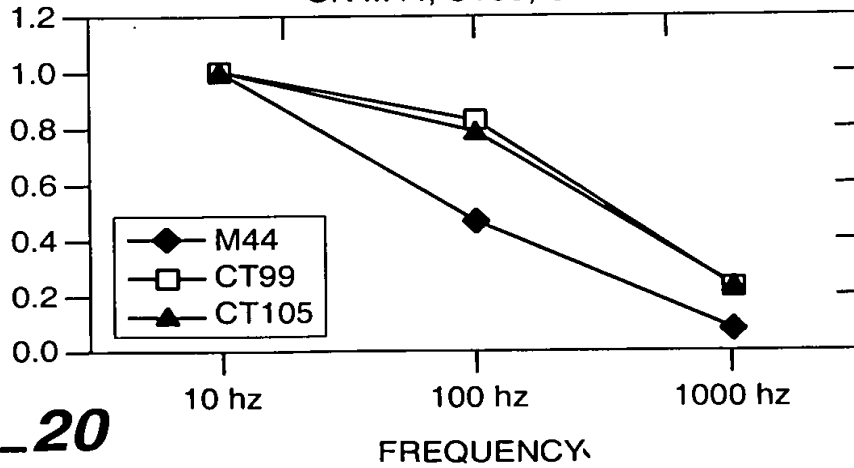


FIG._20